

HOT WATER

CONNECTION GUIDE

[KITCHEN TAP]



YOUR CAMPER

GENERAL KNOWLEDGE

INTRODUCTION

To have hot water flowing to your kitchen tap you will be using the pump in your camper & the hot water system provided. This hot water system needs to be connected to an external gas bottle to function.

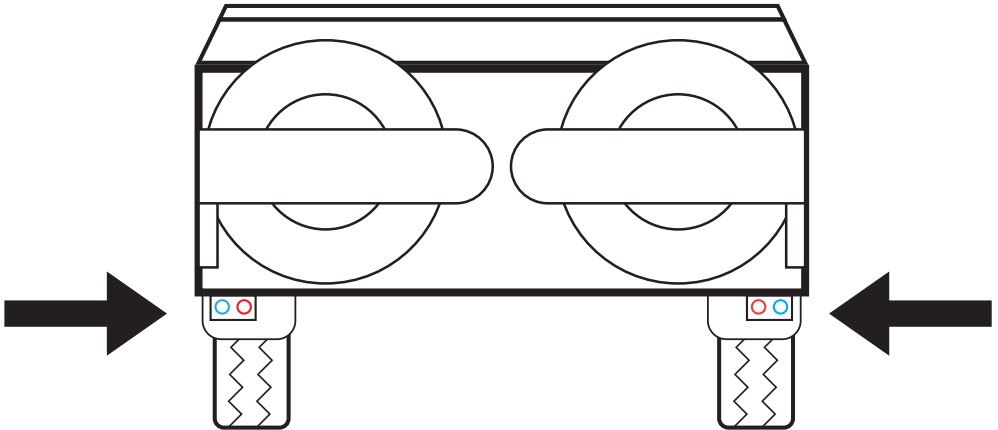
Before setting up the connection you need to ensure you have the hot water unit secured to a stand or to your camper near the drivers side connection points.

Please Note: While the hot water unit is active there are heating elements at work which could be dangerous if the unit is not stable.

CONNECTION POINT LOCATIONS

The connection points are at the rear of the camper, located behind the back wheel. These should have an orange cap on them when not in use to prevent dirt & debris from getting stuck in the points.

Once the cap is removed you can see one will have a red ring & one a blue ring to help identify the points.

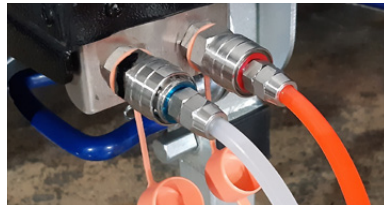
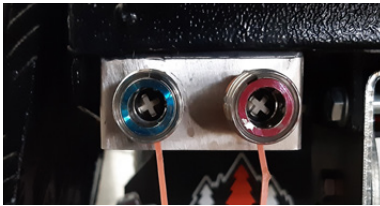


SETUP

STEPS FOR CONNECTION

MAIN SETUP STEPS

1. Open up your kitchen slide & drop the legs down to support it.
2. Reach up under the kitchen slide & drop down the two water lines. You should have one with clear pipe & one with red/orange.
3. Connect the clear waterline to blue inlet point, to do this push back on the sleeve of the connection, push the hose end in & release the sleeve to lock it in place. This is connecting the cold water directly to the on board water tank of your camper.
4. Connect the red/ orange waterline to the red inlet point. This is where the hot water will run from the other side of the camper once it has been heated by the hot water unit.



5. Move to the drivers side of the camper & go to the rear connection points & hot water unit. Ensure the water lines & the regulator hose are connected to the hot water unit as below.



6. Connect the loose end of the water lines into the camper trailer connection points the same as the kitchen side points. (clear hose to blue input & red/orange hose to red input)
7. Connect the regularot hose to a gas bottle & check for leaks at both ends with a small amount of soapy water.



8. Turn on the camper trailer water pump via the main control panel or the push button at the kitchen area. When active a blue light will show.
Please Note: The isolator switch must be on for the pump to work.



9. Turn on the hot water unit & set it to the desired temperature you want the water at. This may take a moment to begin warming up. Please refer to the seperate manual you will have received wih your hot water unit for specific instructions regarding startup & settings for the unit.
10. Let the water flow from the kitchen tap for a minute on both hot & cold for a couple of minutes to help remove any air trapped in the lines prior to use. During this step the tap may sputter & not provide a steady flow.

TROUBLESHOOTING

TIPS & POINTERS

CHECK YOUR PUMP IS ON

If you find that you are not getting the hot water flowing the most common issue is the camper pump not being activated.

Firstly your camper must have charge to its batteries. Next, the isolator switch must be set to the 'on' position & the pump must be switched on via the main control panel or button near the kitchen slide.

The button will show a blue light when it is active.

HOT WATER UNIT CHECKS

On the under side of your hot water unit you will find the main power switch & the compartment to hold a battery.

Check the switch is set to 'on' when trying to start the unit.

A battery is required for the ignition spark to light the unit, check this is in good condition with no leaks & has not gone flat.



WATER TANK LEVELS

Make sure you have water in your camper trailer tanks for the pump to push through. You can check the level for these from your main control panel.

Please Note: The water tank level meter on the control panel will only work if the isolator switch is on.

GAS BOTTLE

The hot water unit uses gas to fuel the flame which heats the water within the unit. If your gas bottle becomes empty the flame will extinguish or not ignite.

Check your gas bottle has sufficient supply prior to connecting it to the system.

HOT WATER CONNECTION USER GUIDE
WRITTEN AND PREPARED BY
LUMBERJACK CAMPER TRAILERS
VERSION || D18 - REV A
2020 © LUMBERJACK CAMPER TRAILERS